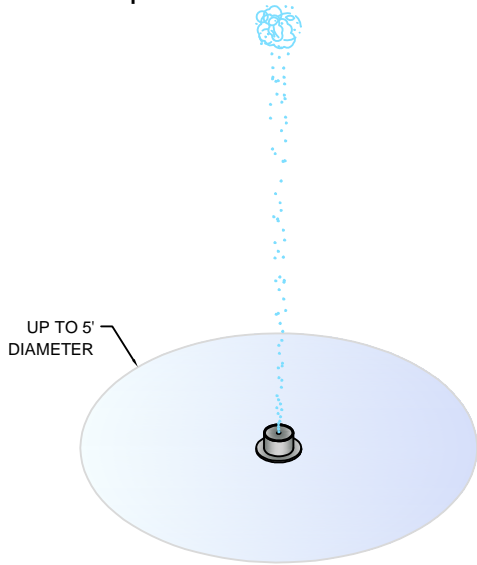
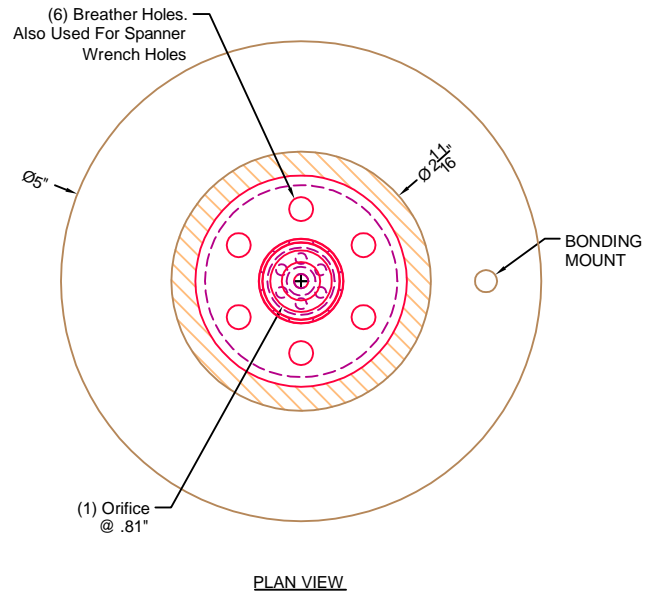


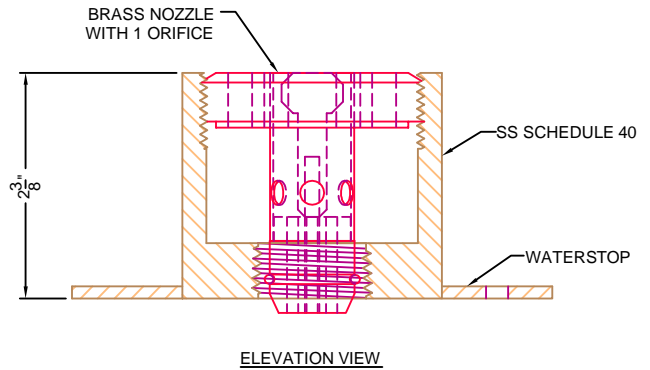
Effect Footprint



Jumping Jewel Deck Jet

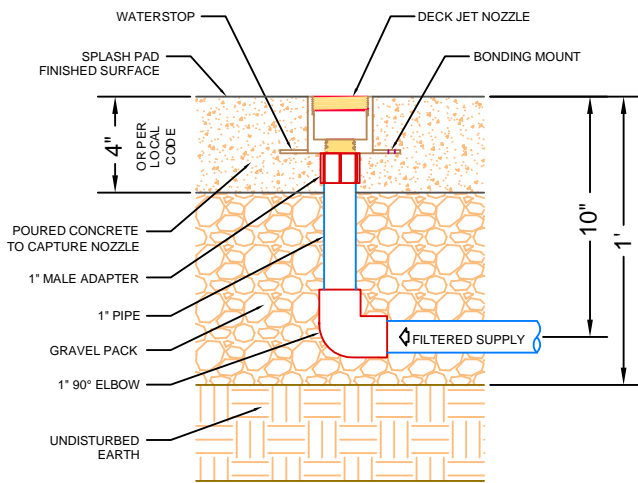


PLAN VIEW



ELEVATION VIEW

Installation



Specifications

Mounting:

Top of nozzles are flush with finish surface. Body is completely buried in concrete.

Materials:

Body - All Stainless Steel construction.
Anchor Flange & Fasteners - All Stainless Steel Construction.

Hydraulics:

5 GPM @ 20 PSI.

Supply Line:

Minimum 1"

Controller:

Required - One solenoid input.

Jumping Jewel Deck Jet



St. Louis, MO * Chicago, IL
800-932-3123
Fax 636-376-3242

PN: WD1030

DATE: 7/22/11

SCALE: 6" = 1'

WWW.WATERWORKSINTERNATIONAL.COM