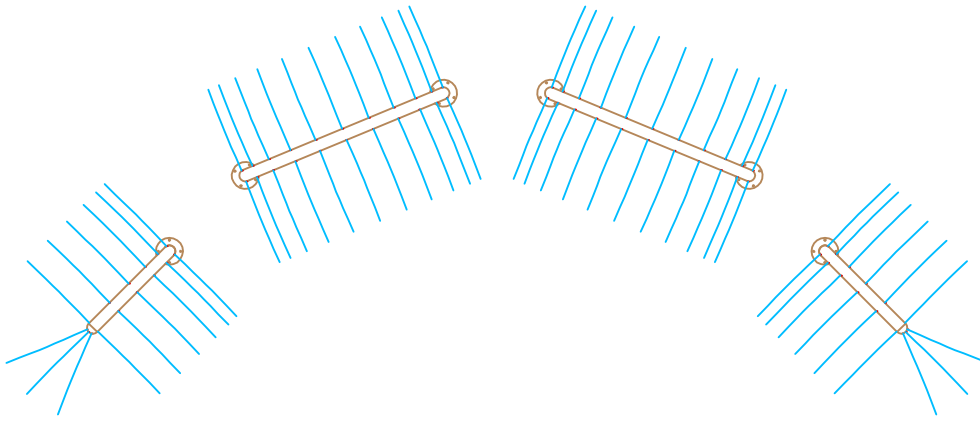
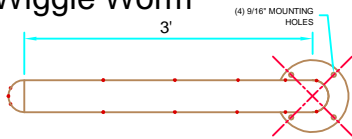


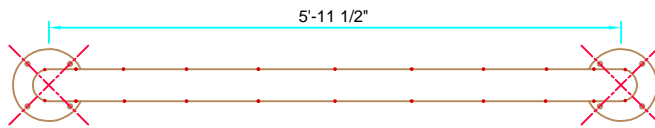
# Effect Footprint



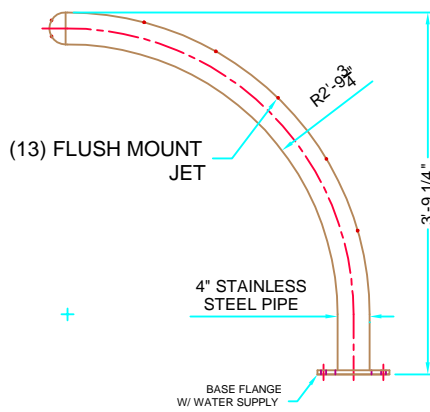
## 0000 Wiggly Worm



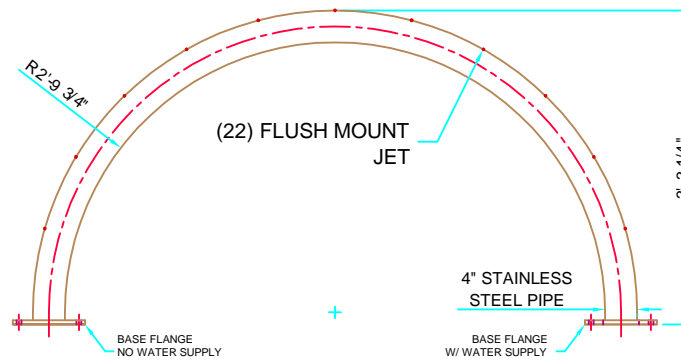
HEAD AND TAIL TOP VIEW



BODY PIECE TOP VIEW (TYP. OF 2)



HEAD AND TAIL ELEVATION VIEW



BODY ELEVATION VIEW (TYP. OF 2)

## Specifications

**Materials:**

Body - All Stainless Steel construction.  
Anchor Flange & Fasteners - All Stainless Steel Construction.

**Finish:**

Polane HS plus an industrial urethane finish that is resistant to chlorine & is UV stabilized.

**Hydraulics:**

30 GPM @ 20 PSI. Water Conserving nozzles available.

**Supply Line:**

Minimum 2"

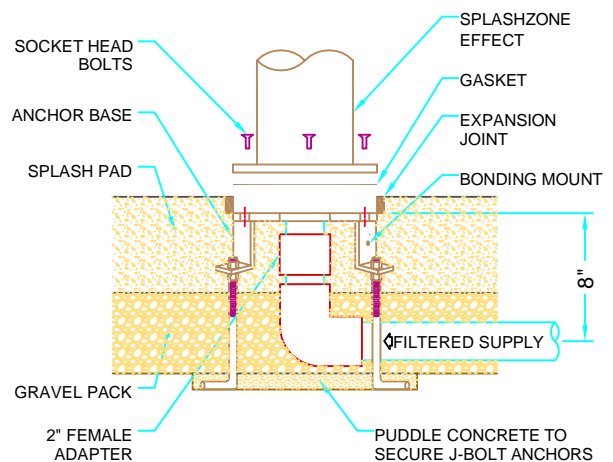
**Colors:**

Red, Blue, Yellow, White, Forest Green, Sea Blue, Pink, Orange, Light Green, Brown, Black & Purple.

**Controller:**

Not Required.

## Anchor Assembly



# Wiggly Worm Water Feature



St. Louis, MO \* Chicago, IL  
800-932-3123  
Fax 636-677-8989

PN - 0000

DATE: 6/7/06

SCALE: 3/8" = 1'

WWW.WATERWORKSINTERNATIONAL.COM