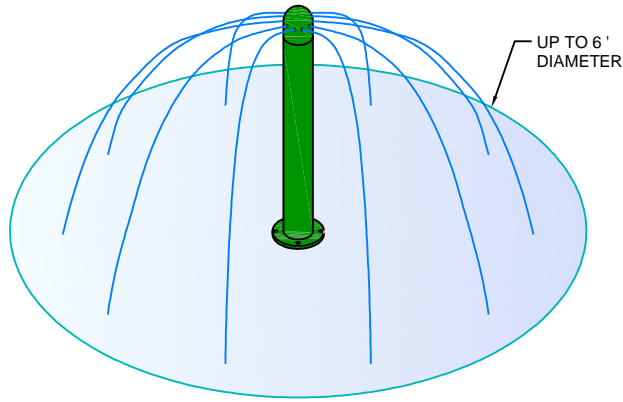
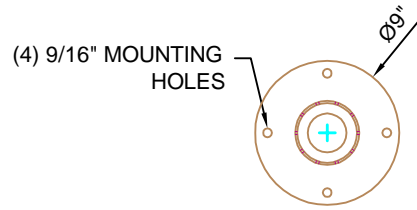


## Effect Footprint

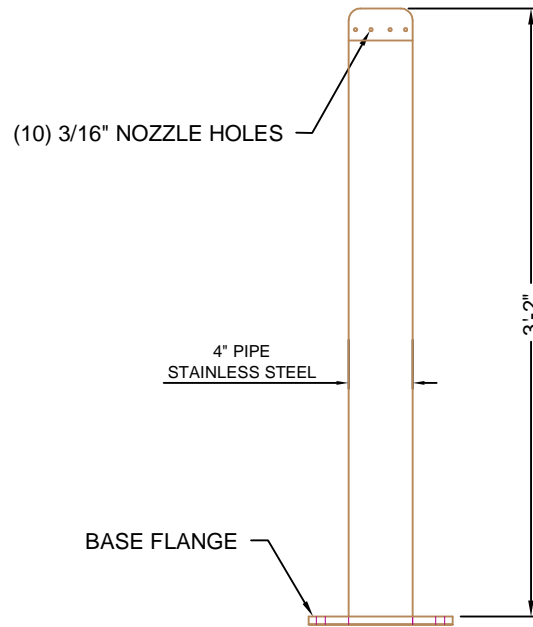
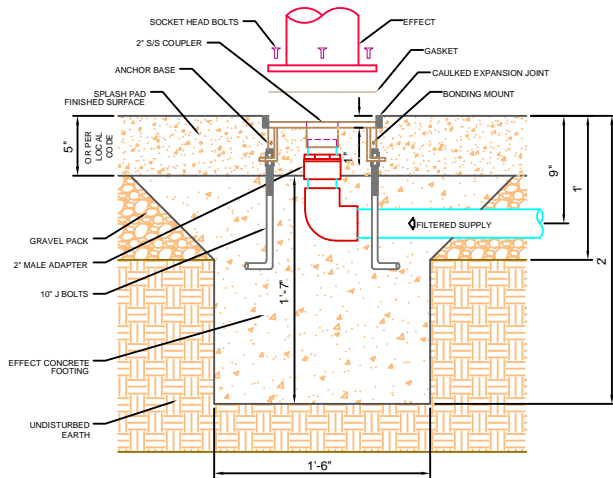


## Igloo Post



TOP VIEW

## Anchor Assembly



ELEVATION VIEW

## Specifications

### Materials:

Body - All Stainless Steel construction.  
Anchor Flange & Fasteners - All Stainless Steel Construction.

### Finish:

Polane HS plus an industrial urethane finish that is resistant to chlorine & is UV stabilized.

### Hydraulics:

20 GPM @ 12 PSI.

### Supply Line:

Minimum 2"

### Colors:

Red, Blue, Yellow, White, Forest Green, Sea Blue, Pink, Orange, Light Green, Brown, Black & Purple.

### Controller:

Not Required.

# Igloo Post Water Feature



St. Louis, MO \* Chicago, IL  
800-932-3123  
Fax 636-677-8989

PN - 11040

DATE: 1/6/09

SCALE: 1" = 1'

WWW.WATERWORKSINTERNATIONAL.COM