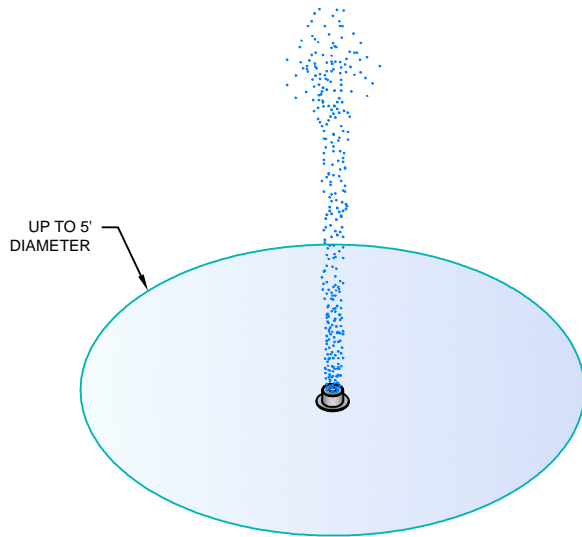
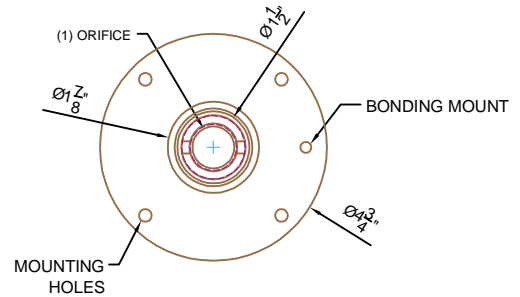


Effect Footprint

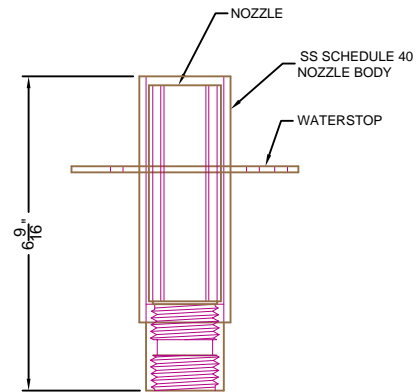
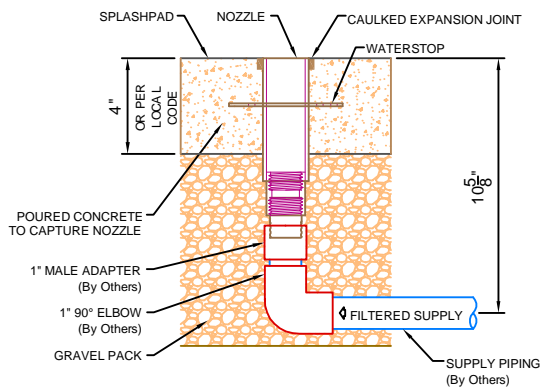


Foam Jet (Kelly Deck Jet)



TOP VIEW

Anchor Assembly



ELEVATION VIEW

Specifications

Mounting:

Top of nozzles are flush with finish surface. Body is completely buried in concrete.

Materials:

Body - All Stainless Steel construction.
Anchor Flange & Fasteners - All Stainless Steel Construction.

Hydraulics:

10 GPM @ 20 PSI.

Supply Line:

Minimum 1"

Controller:

Required - One solenoid input.

Foam Jet Water Feature



St. Louis, MO * Chicago, IL
800-932-3123
Fax 636-376-3242

PN - 11075

DATE: 1/7/09

SCALE: 3" = 1'

WWW.WATERWORKSINTERNATIONAL.COM