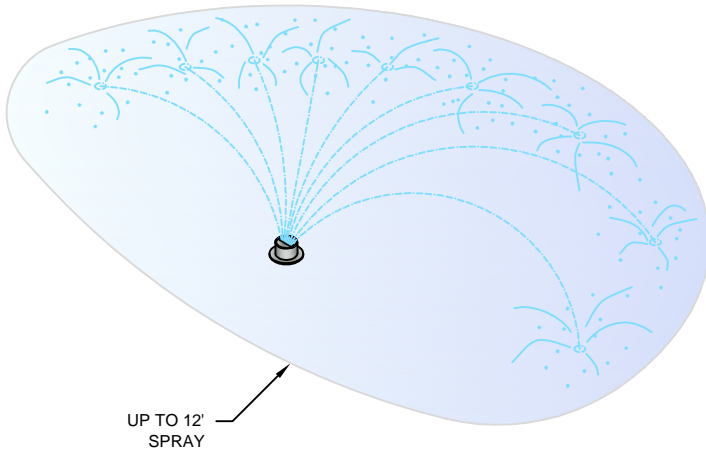
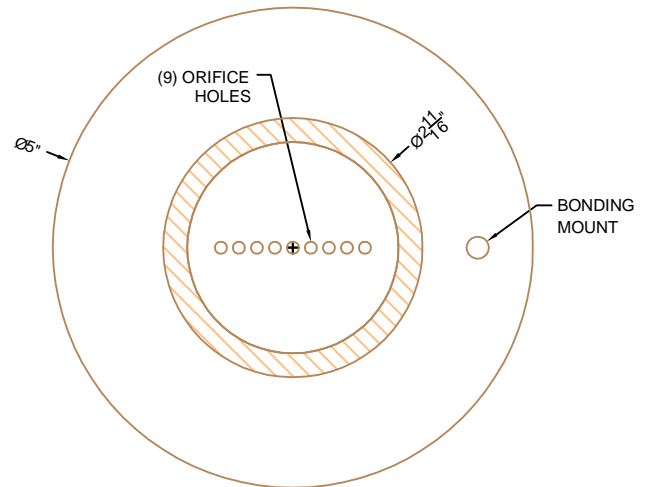


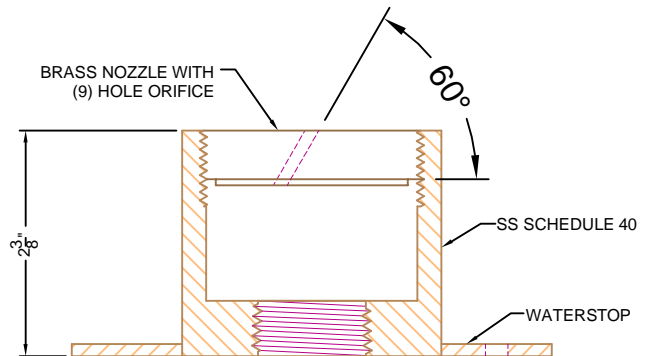
## Effect Footprint



## Body Detail

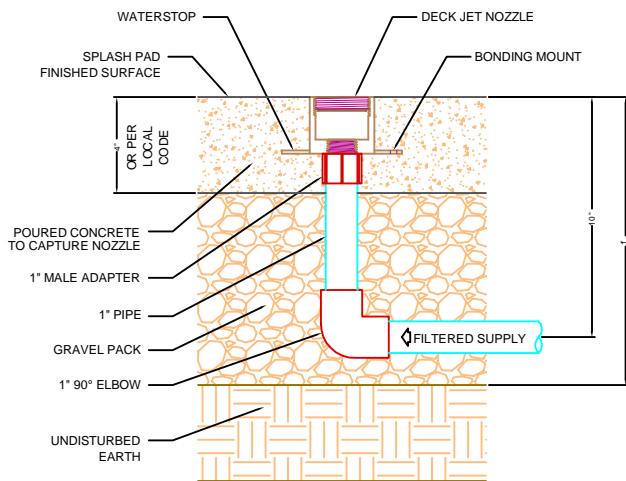


PLAN VIEW



ELEVATION VIEW

## Installation



## Specifications

### Mounting:

Top of nozzles are flush with finish surface. Body is completely buried in concrete.

### Materials:

Body - All Stainless Steel construction.  
Anchor Flange & Fasteners - All Stainless Steel Construction.

### Hydraulics:

5 GPM @ 15 PSI.

### Supply Line:

Minimum 1"

### Controller:

Required - One solenoid input.

# Fan Deck Jet Water Feature

**Waterworks International** 

St. Louis, MO \* Chicago, IL  
800-932-3123  
Fax 636-376-3242

PN: 12605

DATE: 9/19/08

SCALE: 6" = 1'

WWW.WATERWORKSINTERNATIONAL.COM